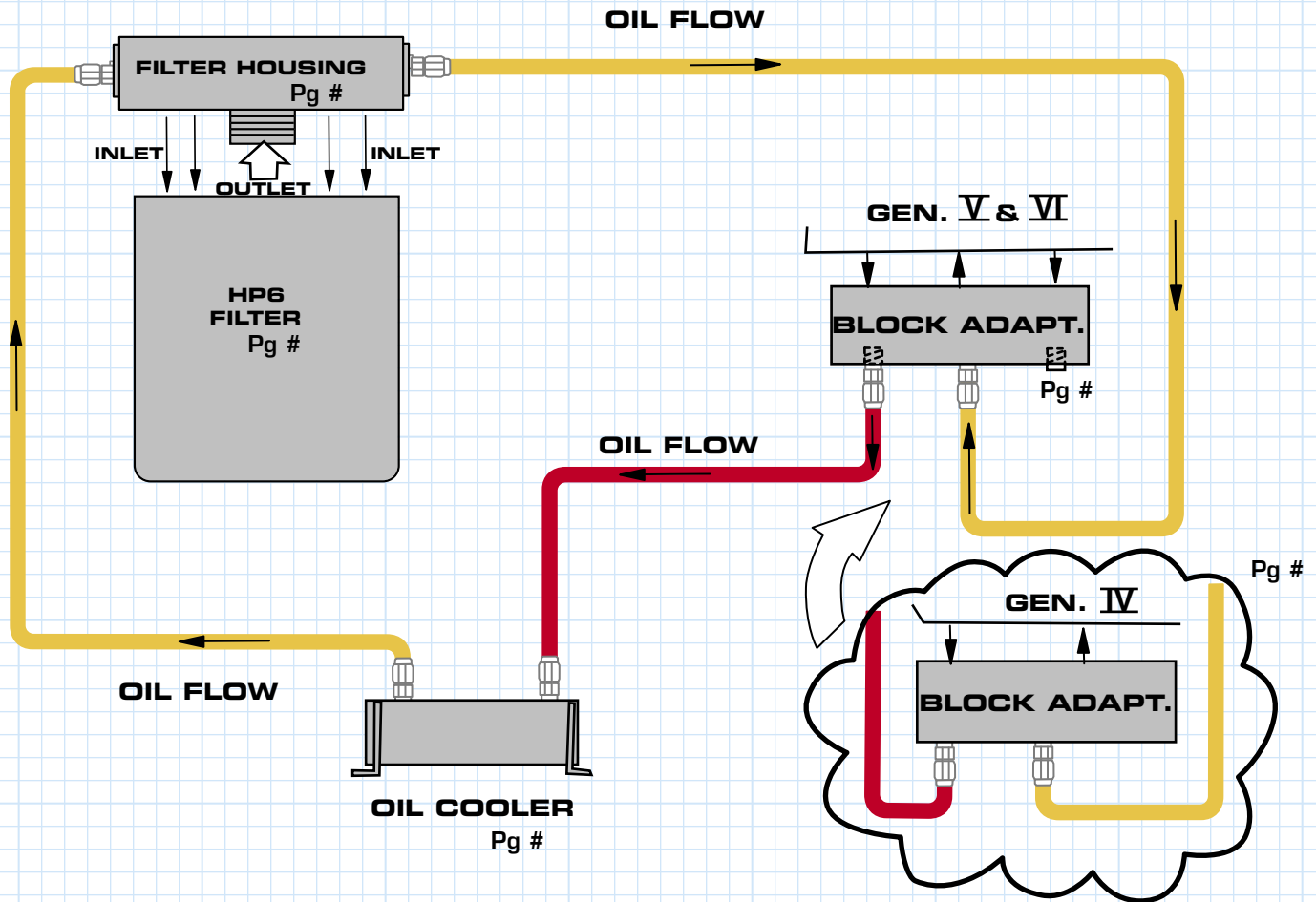


Remote Oil Filter/Cooling System



BENEFITS

- * TCM REMOTE OIL FILTER AND COOLER SYSTEM ALLOWS YOU TO CHOOSE THE EXACT LOCATION FOR YOUR OIL FILTER AND COOLER.
- * PROVIDES ACCESS FOR CONVENIENT OIL FILTER INSPECTION AND REPLACEMENT.
- * AVAILABLE IN THREE PERFORMANCE DESIGNS. #1) CYLINDER HEAD MOUNT FOR HP4 OR HP6 FILTER
 - #2) UNIVERSAL HP6 MOUNT
 - #3) UNIVERSAL HP4 MOUNT.
- * ALL HP6 FILTER MODELS ARE MACHINED WITH AN EXTRA LARGE INLET AND OUTLET, PROVIDING OPTIMUM FLOW EFFICIENCY AND MAXIMUM COOLING.
- * OIL PRESSURE AND TEMPERATURE PORTS (1/8" NPT) MACHINED ON ALL HP6 FILTER MODELS. ALSO AVAILABLE FOR HP4.

DIRECTIONS

- * INSTALL TCM BLOCK-OFF TO BOTTOM OF ENGINE FILTER PAD.
- * TCM RECOMMENDS THE USE OF -12 AN (5/8") OIL HOSE ON ALL PRIMARY OIL LINES.
- * RUN OIL HOSES FROM ENGINE OUTLET TO ENGINE OIL COOLER
- * FROM ENGINE OIL COOLER TO REMOTE FILTER AND RETURN BACK TO ENGINE BLOCK.
- * THIS PREVENTS THE TRANSFER OF CONTAMINATION TO ENGINE IN THE EVENT OF POSSIBLE ENGINE COOLER FAILURE!

REMINDER

- * OIL FLOW FROM THE BLOCK: CENTER IN, SIDE OUT.
- * OIL FLOW THE FILTER: SIDE IN, CENTER OUT.

IF YOU HAVE ANY QUESTIONS REGARDING INSTALLATION OR PLUMBING PLEASE CALL TEAGUE CUSTOM MARINE INC. AT (661) 295-7000