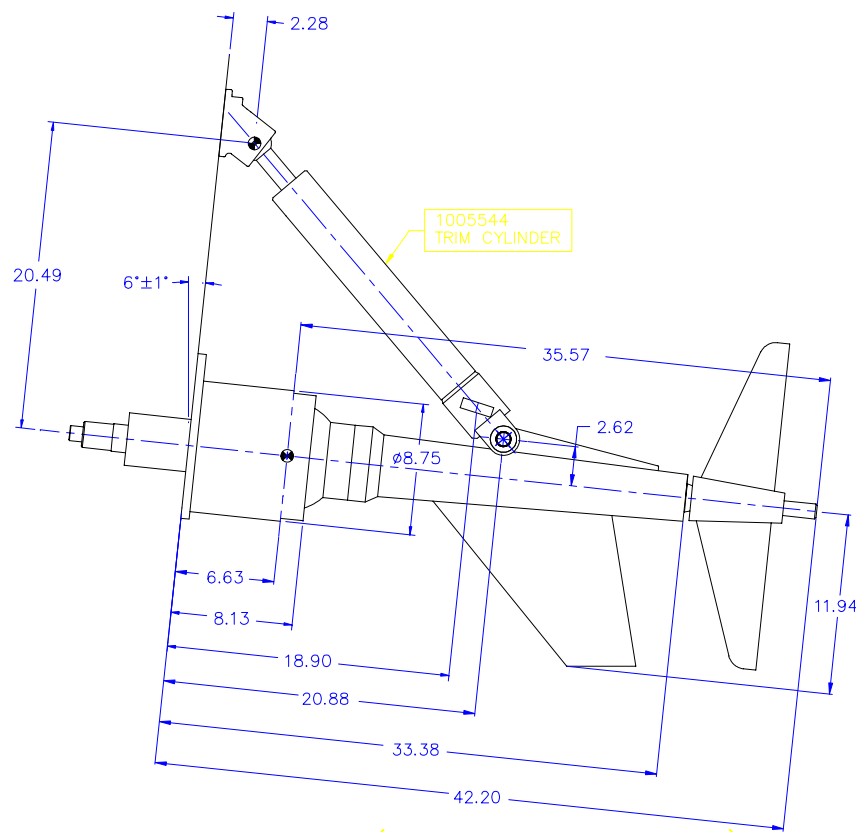
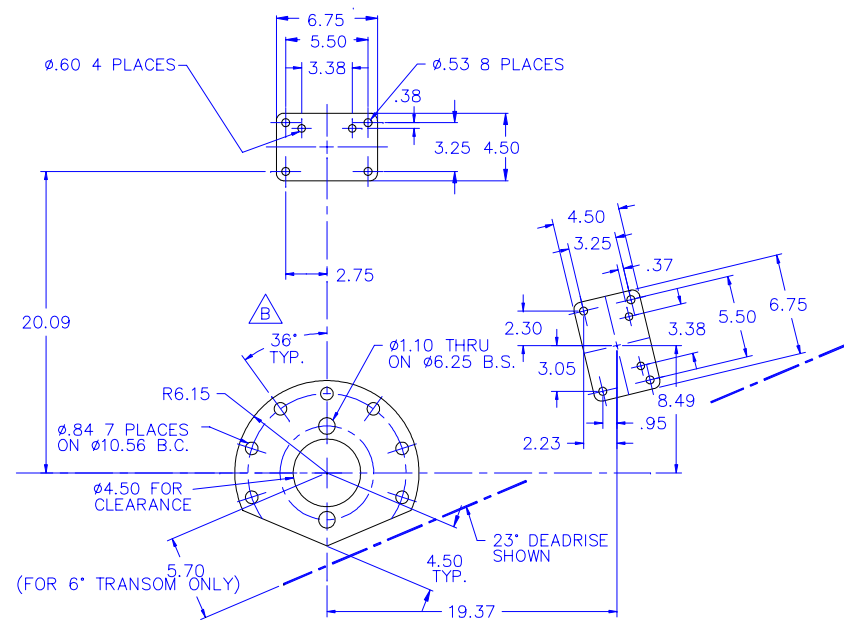


TOP VIEW

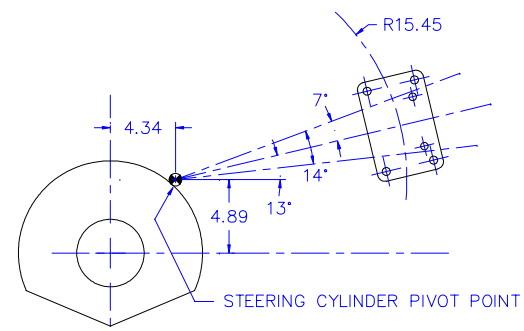


SIDE VIEW (6° TRANSOM ANGLE)



END VIEW

(DIMENSIONS ARE PARALLEL WITH TRANSOM)

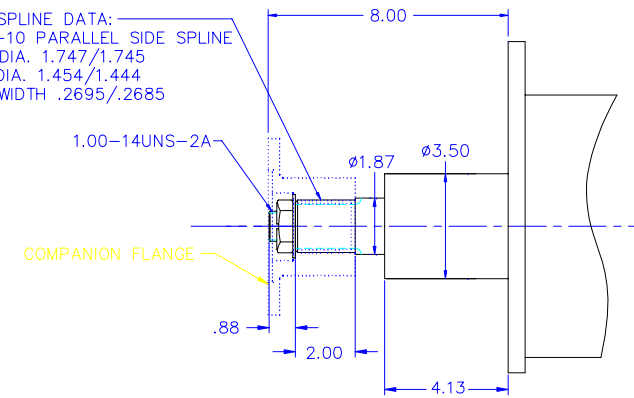


OPTIONAL RANGE FOR STEERING CYLINDER LOCATION

NOTES:

1. THIS DRAWING IS TO BE USED AS A GUIDE ONLY. PLEASE REFER TO THE TWIN DISC INSTALLATION MANUAL FOR INSTALLING THE DRIVE AND CYLINDERS.
2. TRANSOM ANGLE FOR ASD UNITS TO BE 6 DEGREES TO VERTICAL, PLUS OR MINUS 1 DEGREE, AS SHOWN IN THE SIDE VIEW. A MOUNTING WEDGE IS REQUIRED FOR TRANSOM ANGLES OTHER THAN 6 DEGREES.
3. BACKING PLATES OF SAME APPROXIMATE DIMENSIONS AS SHOWN FOR EQUIPMENT FOOTPRINT ARE SUPPLIED. ADEQUATE CLEARANCE INSIDE VESSEL TRANSOM SHOULD BE PROVIDED.
4. DRILL ALL HOLES PERPENDICULAR TO TRANSOM.

SHAFT SPLINE DATA:
 1 3/4"-10 PARALLEL SIDE SPLINE
 MAJOR DIA. 1.747/1.745
 MINOR DIA. 1.454/1.444
 TOOTH WIDTH .2695/.2685



INPUT SHAFT DETAIL

SCALE 2:1

SYMBOL CHARACTERISTIC	SYMBOL MODIFIER
— FLATNESS	MMC (MAX. MATERIAL CONDITION)
— PARALLELISM	RFS (REGARDLESS OF FEATURE SIZE)
— PERPENDICULARITY	
— CIRCULAR RUNOUT	SYMBOL NAME
— TOTAL RUNOUT	DATUM FEATURE
— POSITION	DIAMETER

NOTE: UNTOLERANCED DIMENSIONS LOCATING TRUE POSITION ARE BASIC.

REF. 002231

SYM. ZONE	CHANGE	CH. NO.	DATE	BY	SYM. ZONE	CHANGE	CH. NO.	DATE	BY
B	C4	ANG. DIM ADDED	24813	1/12/94	JK				
A		REDRAWN, REVISED	24751	12/10/93	JK				

SIMILAR TO: **NOTICE!** THIS PRINT CONTAINS PROPRIETARY INFORMATION AND IS NOT TO BE USED IN ANY MANNER DETRIMENTAL TO THE INTERESTS OF TWIN DISC, INCORPORATED. THIS NOTICE IS NOT INTENDED TO NULLIFY OR LIMIT RIGHTS GRANTED TO THE U.S. GOVERNMENT OR OTHERS BY CONTRACT.

MATERIAL	HEAT TREAT	DATE	11/18/93
SURFACE TREATMENT	WEIGHT ROUNG FIN.	SCALE	1=6
TOLERANCES UNLESS NOTED .X±.10 .XX±.010	WR ³ LBS. IN. ³	FIRST USE ASSY. MODEL	ASD 8
NAME	INSTALLATION		
CHK.	GAM	APPD.	GAM

TWIN DISC INCORPORATED
 RACINE, WI 53403
 ARNESON SURFACE DRIVES
 1011001

F

E

D

C

B

A

6

5

4

3

2

1